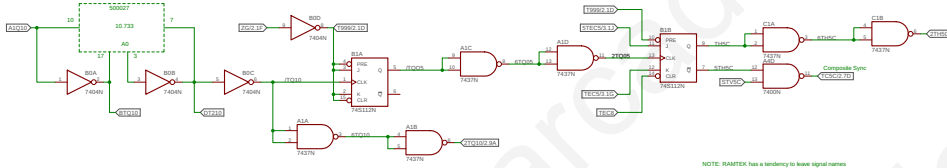


SPECIAL SHOUTOUT TO KESHBACH1 FOR SCANNING HIS CLEAN SWEEP SCHEMATICS FOR ALL TO SEE!
 FIND THEM AT MAMEWORLD.INFO
<http://mameworld.info/ubbthreads/showflat.php?Cat=&Number=315375&page=8&view=expanded&sb=7&o=&vc=1>

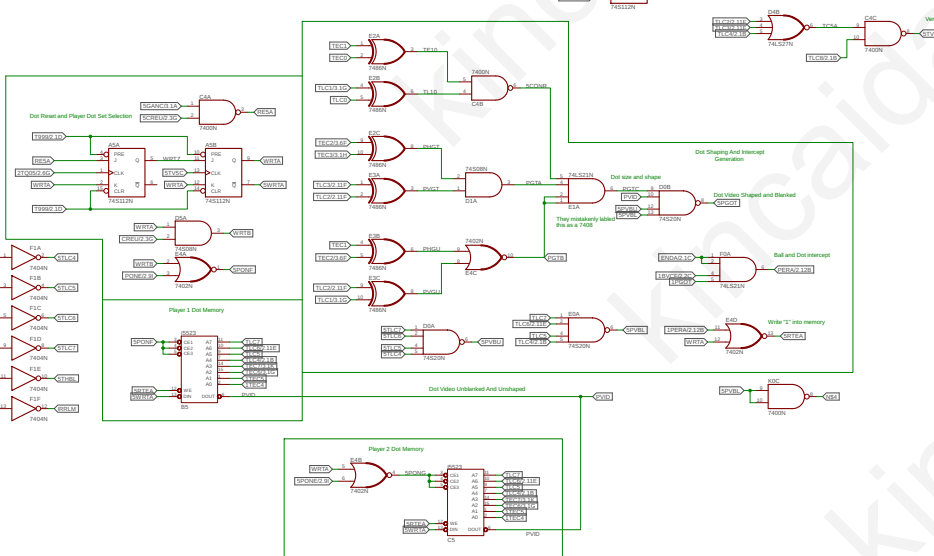
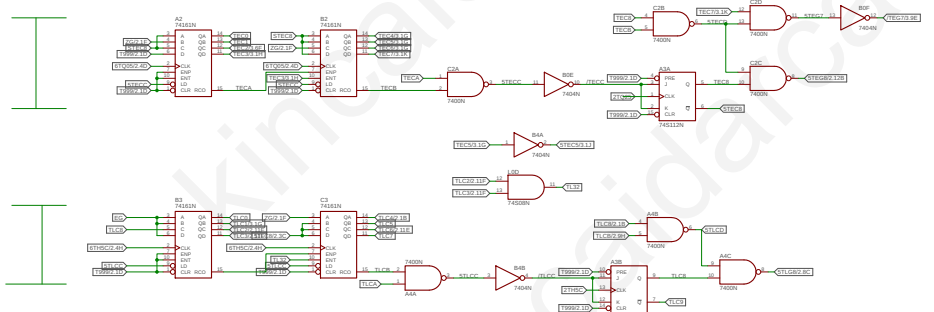
Under no circumstances am I to be held liable for confusion due to RAMTEX's word signal names.

This is a 10.723 MHz. Silicon Crystal Oscillator. I was unable to find info on it.

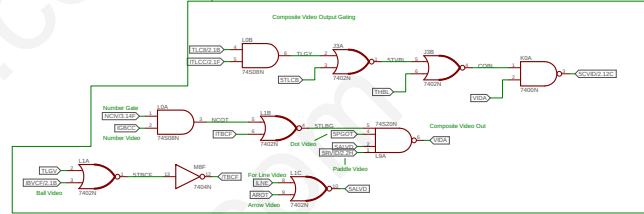
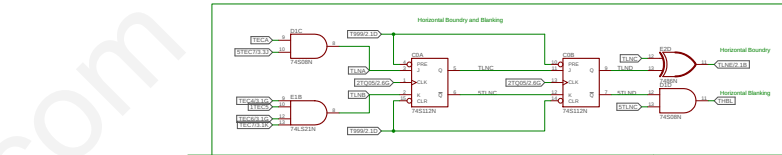


NOTE: RAMTEX has a tendency to leave signal names blank. When you see a gate with a new but no name, that is not because I have been stacking off. Just so you know.

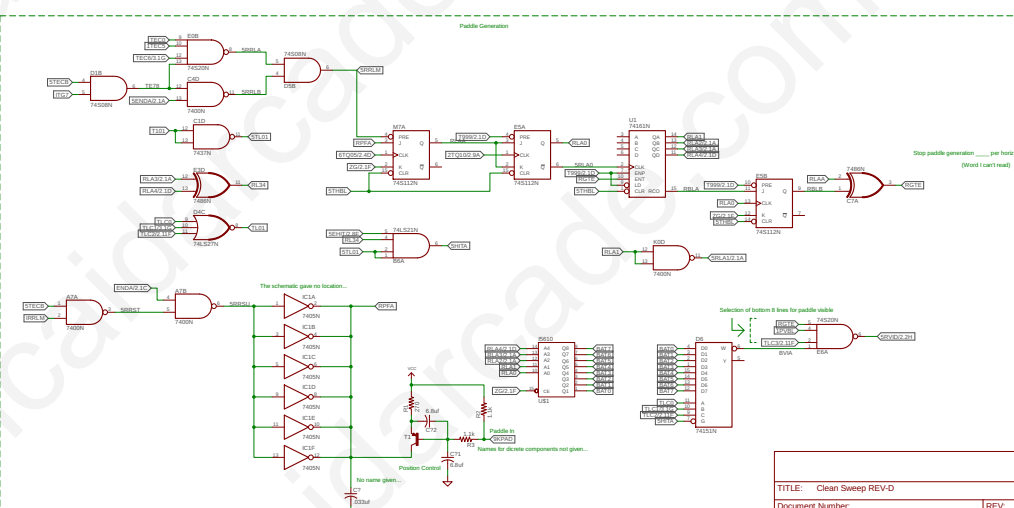
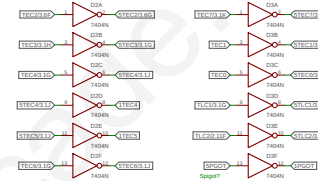
The schematic calls this "Master Timing Generator"



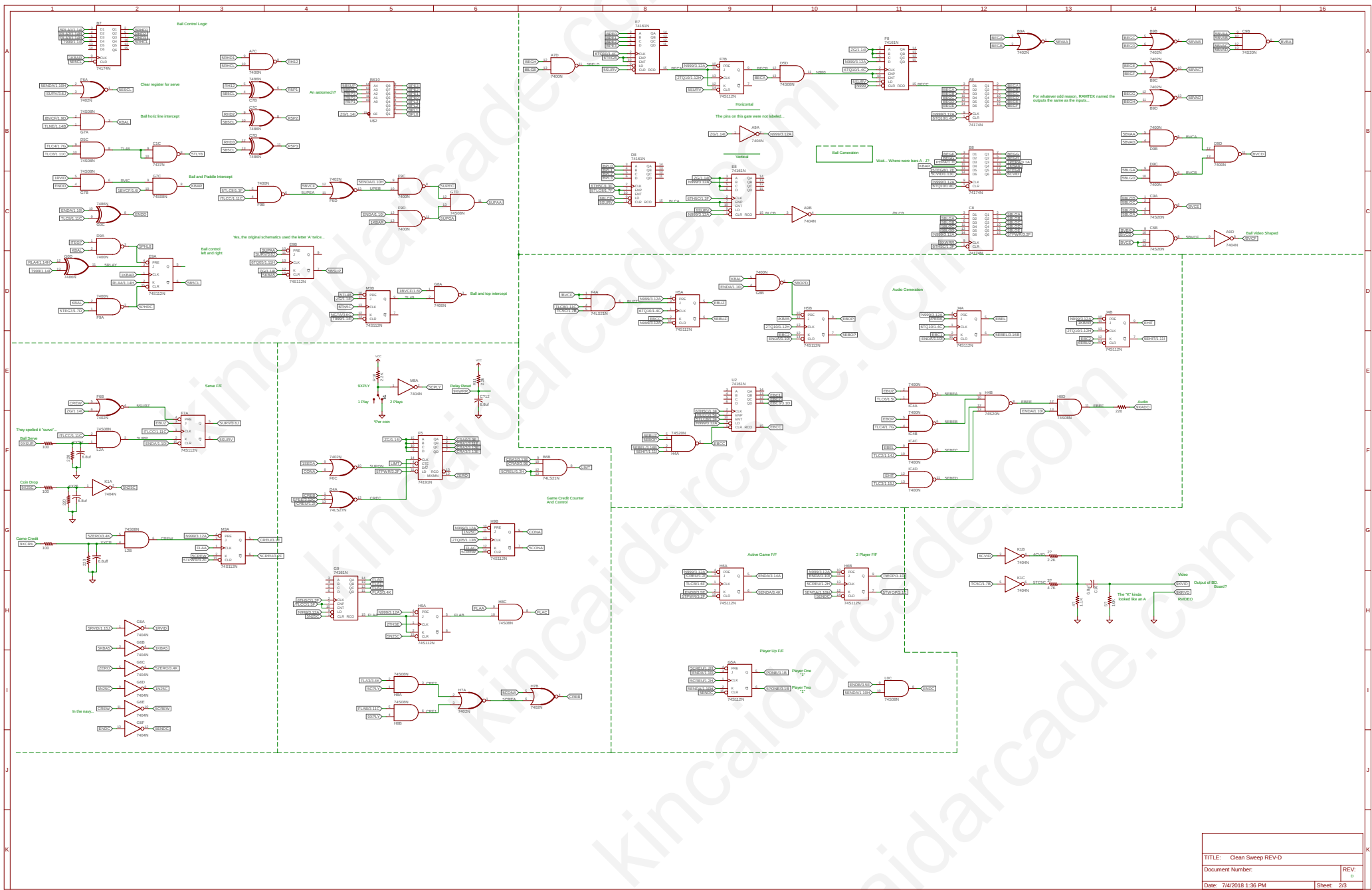
SCHEMATICS REDRAWN BY ALEXANDER OF KINCAID ARCADE
 (A 15 Year Old!)

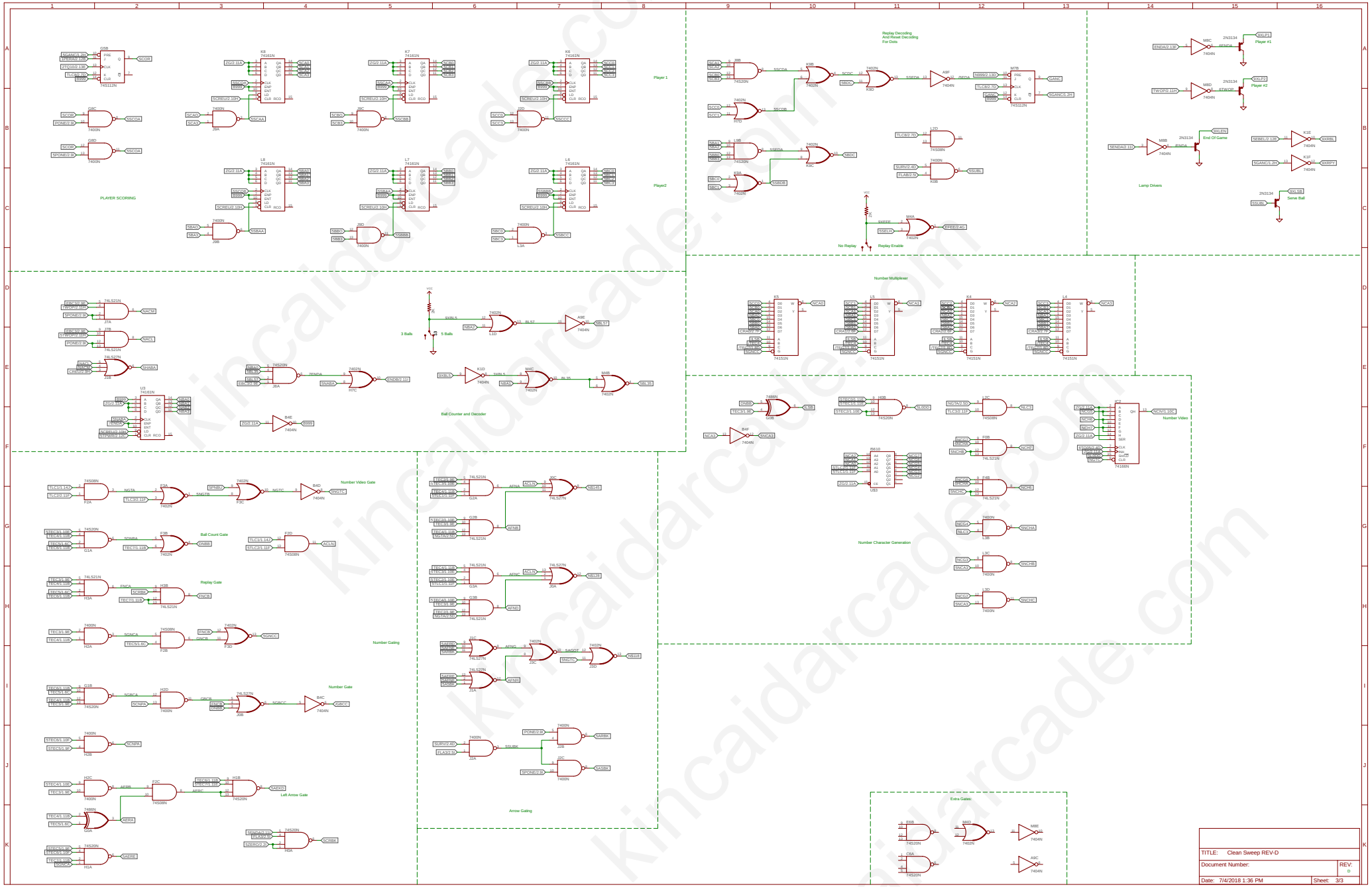


What the f--- is this...



TITLE: Clean Sweep REV-D	
Document Number:	REV: D
Date: 7/4/2018 1:36 PM	Sheet: 1/3





TITLE: Clean Sweep REV-D	
Document Number:	REV: D
Date: 7/4/2018 1:36 PM	Sheet: 3/3